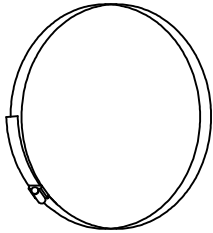


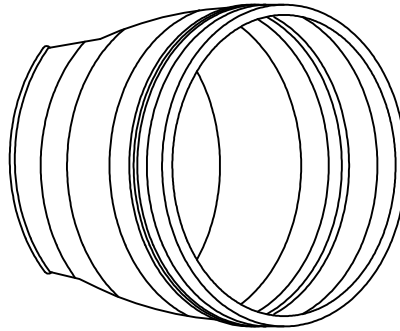
CONSTRUCTION DETAIL NO. 5

APPROVED MATERIALS

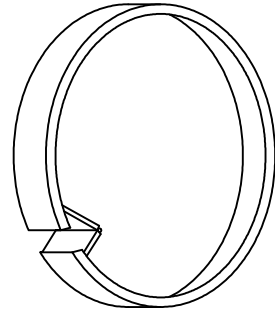
BOOTS – NPC (KOR-N-SEAL) AND PRESS-SEAL (PSX DIRECT DRIVE)



STAINLESS STEEL
PIPE CLAMP

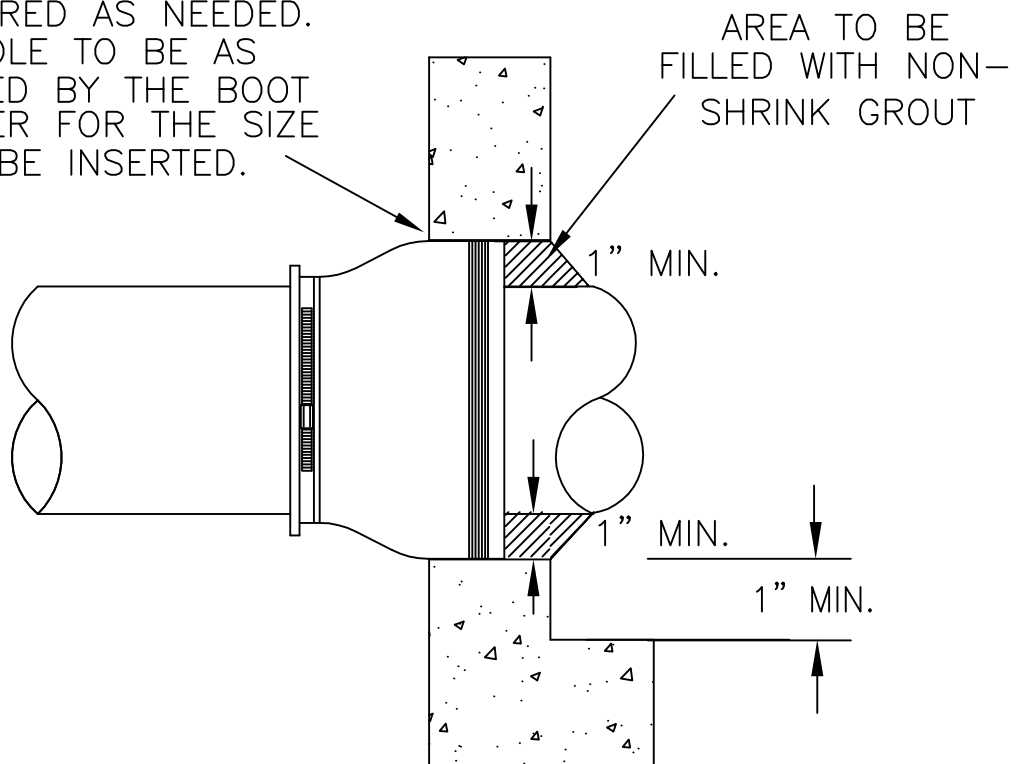


FLEXIBLE SYNTHETIC
RUBBER CONNECTOR



STAINLESS STEEL
EXPANSION RING

HOLE TO BE FACTORY-CORED
OR FIELD CORED AS NEEDED.
SIZE OF HOLE TO BE AS
RECOMMENDED BY THE BOOT
MANUFACTURER FOR THE SIZE
PIPE TO BE INSERTED.



MANHOLE
ENTRANCE "BOOT"

SCALE: NONE

REVISION DATE: APRIL 13, 2009