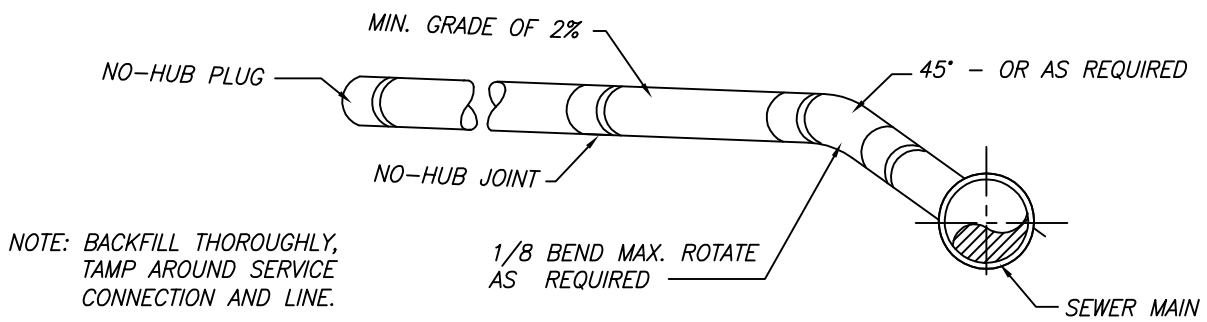
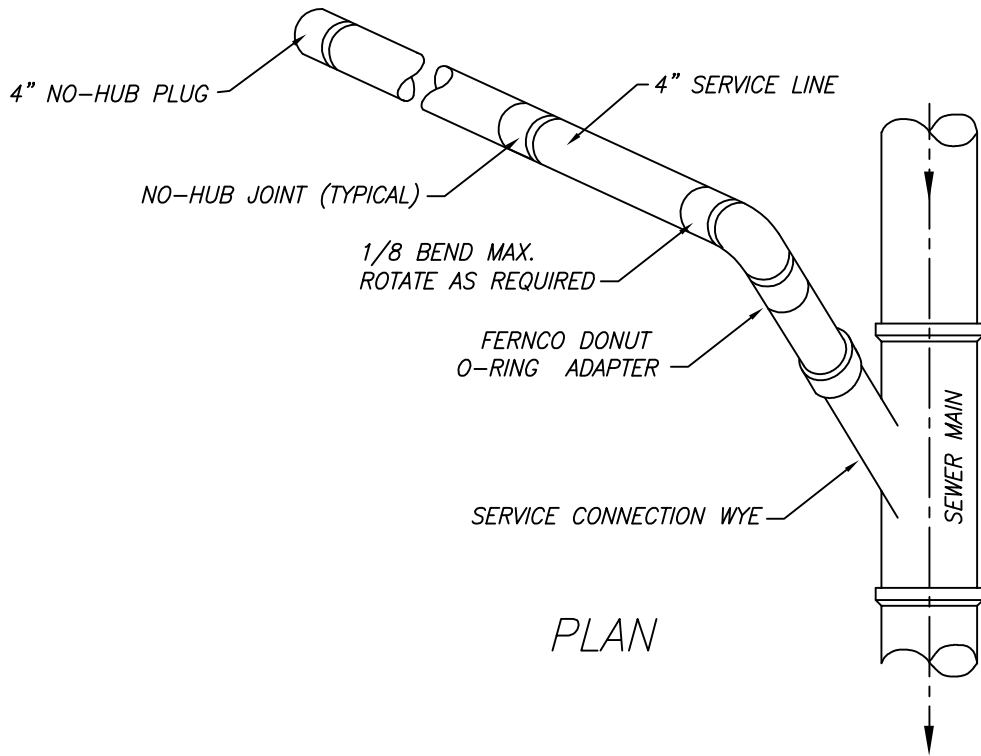


# CONSTRUCTION DETAIL NO. 17



SECTION



TYPICAL  
SEWER SERVICE  
CONNECTION

SCALE: NONE

REVISION DATE: APRIL 13, 2009