



**Spartanburg Water System
Policies and Procedures**

Lake William C. Bowen Reservoir

**Effective Date October 26, 2022
at 12:01 a.m. EST**

www.spartanburgwater.org

**The Commissioners of Public Works of the City of Spartanburg, SC
d/b/a
Spartanburg Water System**

Offices

Spartanburg Water System (SWS)
P.O. Box 251
Spartanburg, SC 29304
(864) 583-7361

Lake Bowen Warden's Office
8515 Highway 9
Inman, SC 29349
(864) 592-2240

24-Hour Emergency Number:
(864) 578-2764

Amendment Approved by the Commission

October 25, 2022

Original Effective Date

October 31, 2019

Lake William C. Bowen Reservoir

1. The Commissioners of Public Works of the City of Spartanburg, SC, d/b/a Spartanburg Water System (“SWS”) owns the property beneath Lake William C. Bowen Reservoir (the “Reservoir”), as well as a buffer area of real property surrounding the Reservoir between contour elevation 827 feet above mean sea level and the water’s edge (the “Buffer Area”).
2. SWS provides a picnic area, playground, lake access, boat ramp and dock at a park located at 8515 Highway 9, Inman, SC 29349 and a fishing pier located at 3356 Compton Bridge Road, Inman, SC 29349 (collectively the “SWS Recreational Areas”). The Lake Warden’s office is also located at this address. The park is generally open daily from 6 am to midnight. The office is generally open daily from 7:30 am to 4 pm.

General

1. All persons using the SWS Recreational Areas, the Buffer Area, the Reservoir, or other property owned or governed by SWS (collectively, “SWS Property”) are subject to, and governed by, all applicable SWS policies and procedures.
2. Those owning lots adjoining the Buffer Area (“Contiguous Landowners”), their families, and guests are granted permission to access the Buffer Area immediately adjoining the Contiguous Landowner’s property (the “Buffer Access Area”) for recreational purposes and for maintenance in accordance with these policies and procedures. The Buffer Access Area for each Contiguous Landowner is bounded by the Contiguous Landowner’s side lot lines as those lines would extend out from such Contiguous Landowner’s property corner into the Reservoir and does not include areas in front of any other Contiguous Landowner. All other uses of the Buffer Area shall be subject to the issuance of a permit or written agreement prior to such use.
3. In the event of a dispute as to the location of the boundary line separating a Contiguous Landowner’s property from that of SWS, SWS will provide any relevant survey information it may have to assist in locating the property line. If the Contiguous Landowner disagrees with the location depicted by the SWS survey information, such landowner may, at such landowner’s expense, obtain additional information from a registered land surveyor in aid of resolving any discrepancies.
4. Any permit, license or agreement issued by SWS may be revoked if the permit holder willfully or continuously violates any of the conditions of the permit(s) or agreement(s) or the policies, procedures, or restrictions governing the use of SWS Property, any applicable laws or regulations, or any contractual obligations.
5. No person shall pollute SWS Property or the waters of the Reservoir with any sewage, garbage, rubbish, tree limbs, stumps, debris, or waste of any kind. No person shall use gasoline, oil, lubricants, pesticides, herbicides, or any other toxic or hazardous substance that may cause

pollution of the water supply. The use of gasoline and lubricants is permitted exclusively for the proper operation of permitted watercraft or home and lawn maintenance equipment. Under specific and limited circumstances, herbicides and pesticides are allowed with written approval by SWS for pest management, removal of poison ivy, poison sumac, and/or poison oak or the removal of exotic species as identified by the South Carolina Department of Natural Resources ("SCDNR").

6. Other than the permitted construction and maintenance of marine structures, shoreline stabilization, tree and vegetation management, and/or contractors performing duties of other permitted work Commercial use or operations are not allowed on SWS Property.
7. Except for the lawful possession of firearms or fireworks by a Contiguous Landowner within their Buffer Access Area, the use or possession of firearms or fireworks on SWS Property is prohibited.
8. No wading, bathing, or swimming is permitted within 200 feet of the SWS Recreational Areas, public landings, bridges, or restricted areas.
9. Except for Contiguous Landowners within their Buffer Access Area, no camping, picnicking, cleaning, or cooking of fish or other foodstuffs is permitted on SWS Property.
10. The Rules and Regulations of SCDNR are applicable to the Reservoir. A copy of SCDNR's Rules and Regulations is available online at www.scdnr.gov.
11. With the exception of the lawful use by Contiguous Landowners, alcoholic beverages (beer, wine, distilled spirits, etc.) and controlled substances are prohibited on SWS Property.
12. Persons showing evidence of intoxication will not be permitted to operate a vessel on the Reservoir or otherwise occupy SWS property.
13. All persons shall use SWS Property in accordance with applicable law.
14. Dock lighting must be focused downward and shall not disturb adjacent property owners or adversely impact navigation.
15. Except as to the use of approved fire-pits by Contiguous Landowners as hereinafter provided, burning of any kind or creation of fire (either intentionally or by accident), from any source for the purpose of entertainment or for the purpose of discarding trash, leaves or other vegetation is prohibited.
16. All motorized watercraft must be launched from the boat ramps at SWS Recreational Areas, from permitted docks, or from those existing licensed private boat ramps.
17. All pets in the SWS Recreational Areas must be on leashes or otherwise controlled in accordance with applicable Spartanburg County ordinance.
18. **TO THE FULLEST EXTENT PROVIDED BY APPLICABLE LAW, SWS IS NOT RESPONSIBLE FOR LOSSES, DAMAGES, OR INJURIES OF ANY KIND THAT ARE SUSTAINED WHILE USING SWS PROPERTY.**

Wardens

1. The Wardens are the official custodians of SWS Property and are responsible for the enforcement of these policies and procedures. The Wardens are commissioned law enforcement officers and have the authority to file charges and make arrests. The Wardens are further authorized to revoke any permit and to deny access to persons (including Contiguous Landowners) who willfully or continuously violate SWS policies and procedures. Permit holders will comply with all conditions or restrictions of such permit; failure to do so may result in revocation.
2. The Wardens have the authority to take necessary measures to ensure the safe and wholesome use of SWS property and to remove anyone interfering with the peaceful and safe use of SWS Property.

Boating

1. The operation of a boat, watercraft, or any other type of vessel authorized on the Reservoir shall be at the risk of the user and shall be subject to all federal and state laws and SWS policies and procedures.
2. No boat, watercraft, or any other type of vessel can be placed on the Reservoir without a valid permit.
3. No boat, watercraft, or any other type of vessel shall be operated within a distance of 500 feet of a pump station, water intake of the dam, or spillway.
4. Hydroplanes, powered racing hulls, airboats, airplanes (including seaplanes), hovercraft, and houseboats are prohibited.
5. Operators of any boat, watercraft or any other type of vessel must have all required equipment as specified by SCDNR regulation including, without limitation, a U.S. Coast Guard-approved lifesaving device for each person aboard or being pulled behind (skiing, towing, etc.) such vessel.
6. No person shall operate a boat, watercraft, or any other type of vessel in a congested area at a speed (i) that will produce a wake or (ii) is in excess of 10 miles per hour. No person shall operate a boat, watercraft, or any other type of vessel in such a manner as to endanger the passengers or the safety of other persons or property.
7. The operator is legally responsible for the wake of his or her boat, watercraft, or vessel. There are no-wake zones near all bridges and public docks.
8. At no time shall any vessel carry more than the recommended weight specified by the manufacturer or carry so many persons that an unsafe or hazardous condition is created.
9. No boat, watercraft, or any other type of vessel shall operate, anchor, moor, or dock within 150 feet of the public fishing pier on the Reservoir.

10. At times when the Wardens deem the Reservoir to be too congested with boat, watercraft, or vessel traffic to permit safe navigation, the Wardens, in the interest of safety, may close boat landings and otherwise restrict access to the Reservoir.
11. South Carolina law prohibits the operation of any boat, watercraft, or any other type of vessel on the Reservoir between midnight and one hour before sunrise.
12. Sailing craft with a mast height in excess of 30 feet are prohibited.
13. No person shall ski or be towed through or within 300 feet of any bridge, or within 100 feet of the SWS Recreational Areas. No skiing or towing devices are permitted upstream and west of the Interstate 26 Bridge over the Reservoir.
14. No more than two skiers shall be pulled at one time from a boat, watercraft, or any other type of vessel. No person shall ski while carrying another person.
15. The boat, watercraft, or vessel operator will ensure that any skiing or towing is conducted in a safe manner and in compliance with these policies and procedures.

Fishing

1. A valid South Carolina Fishing License is required to fish in the Reservoir.
2. Fishing may only be conducted in the designated fishing areas that are posted in the Warden's office.
3. Fishing is permitted for Contiguous Landowners within their Buffer Access Area, and for boaters on the Reservoir. All fishing is to be conducted in accordance with state law. Fishing is prohibited within or on the pump station, water intake of the dam, spillway, any portion of the dam, or within any restricted or posted area.

Watercraft Permits

1. No boats, watercraft, or any other type of vessel shall be placed in the Reservoir without first obtaining the necessary permits from the Warden's office. The permit sticker must be attached to the boat, watercraft, or vessel in a highly visible location on the port (left) side of the vessel.
2. SWS motorized boat permits are valid from April 1 through the following March 31.
3. SWS non-powered boat permits are permanent and do not require annual renewals. Should the permit become lost, destroyed, or detached from the non-powered boat, a replacement fee shall be charged.
4. The Warden's office may deny a permit to an owner of any boat, watercraft, or any other type of vessel which:
 - a. Is in an unsafe or unseaworthy condition;

- b. Is propelled by a motor or motors having a combined horsepower in excess of the horsepower requirements in Code of Laws of SC - 1976, Section 50-25-1320 (See Appendix A). This restriction does not apply to tow boats or any Coast Guard approved boat commonly referred to as an inboard boat designed by the manufacturer for towing water skiers with the motor or engine near the midpoint of the boat between the bow and the stern, propeller driven by a single rod drive shaft extending through the hull, with the propeller located under the boat in front of a rudder; or
 - c. Has a motor from which the serial number or model number has been removed. The Warden's office shall revoke any permit previously issued if a boat, watercraft, or any other type of vessel is propelled by a motor on which the serial number or model number has been removed, changed, or altered, or if the cover of a compliant engine has been used to camouflage (or otherwise disguise) a larger non-compliant engine.
5. Permits may be denied or immediately revoked if alterations to the exhaust system on any motor result in excessive noise.

Dredging and Digging

The dredging, digging, widening, or altering in any way of any artificial or natural channel, canal, stream, creek, tributary, or any other water course in or affecting the Reservoir is prohibited without prior authorization. Such authorization includes a (i) permit from the South Carolina Department of Health and Environmental Control ("SCDHEC") Division of Water Quality and (ii) signed written agreement with SWS.

Grading and Erosion Control

1. Grading or disturbing the natural soil level on SWS Property is prohibited.
2. Contiguous Landowners will coordinate any construction activities on their property and take all necessary steps to prevent silt, runoff, or other construction debris from entering onto SWS Property or the Reservoir.

Structures

1. Only Contiguous Landowners with lots approved for residential construction by Spartanburg County and SCDHEC, having a minimum of 40 feet of property at the 827' contour line may be permitted to construct, install, establish, or create permitted marine structures (docks) on SWS Property. Any Contiguous Landowner may apply for a permit to install a seawall, riprap, or other shoreline stabilization. Any Contiguous Landowner may apply for a pathway through their Buffer Access Area.
2. Dwellings, outbuildings, swimming pools, kennels, play houses, boat ramps, fencing, roads or driveways are prohibited on SWS Property.
3. Permitted structures for new construction must be placed so that all portions of the structure are at least 14 feet from adjoining side lot lines as those lines project out into the Reservoir. Projection

of these side lot lines is accomplished by extending an imaginary line perpendicular to the structure boundary at each property corner in the same manner used to determine a Contiguous Landowner's Buffer Access Area. Exact placement of structures will be determined by SWS. See [Appendix C](#) for a dockplacement example. Replacement or changes to an existing Permitted or Licensed Marine Structure must be constructed so that the structure is at least 28 feet from the neighboring marine structure on either side. Exact placement of the structure will be determined by SWS.

4. Each request for a structure permit will be evaluated on a case-by-case basis.
5. Contiguous Landowners performing maintenance on marine structures ("Marine Structure Maintenance") must notify SWS that work is taking place by submitting a Structure Maintenance Notification form. This form must be submitted before work begins. Structure Maintenance Notification forms are available at the Lake Offices and online at www.spartanburgwater.org.
 - a. Marine Structure Maintenance is defined as the ongoing repair of any aspect of an existing permitted marine structure (i.e., dock, boat lift, PWC lift) that does not involve replacement of any major components of the structure. Marine Structure Maintenance includes, but is not limited to, hinge replacement, resurfacing of dock walkways or floats, staining, painting, or extensive pressure washing of docks, repairing or installing hand railing, dock cabling or floats, replacement of boat or PWC lift slides to a new specification or configuration. Marine Structure Maintenance, as defined herein, does not require a new permit, but does require the Marine Structure Notification Form referenced above.
 - b. Contiguous Landowners are encouraged to maintain permitted marine structures and to conduct Marine Structure Maintenance regularly to prevent the development of potential hazards and promote safe use of the structure.
6. Certain structures constructed prior to the enactment of the current SWS policies and procedures do not meet the standards set forth herein. Such structures will be allowed to remain in place so long as they are maintained in good condition and repair.
7. SWS reserves that right to require the removal of any structure which is abandoned or falls into disrepair. Upon request by SWS, Contiguous Landowners will either remove such structures or SWS will remove them at such landowner's expense in the event such landowner refuses to do so.
8. No non-conforming structure may be rebuilt or replaced without prior written permission from SWS. Although replacement of an existing non-conforming structure may be permitted, such permits may contain conditions, modifications or restrictions as to the location, design and use so as to make the resulting replacement structure more compatible with current policies and procedures.
9. Contiguous Landowners must apply for and obtain a proper permit prior to beginning construction on SWS Property.
10. SWS may deny a permit or agreement for the construction of any structure including, but not limited to, docks, walkways, or shoreline stabilization which is not suited to a particular lot because of the shape of the shoreline or for any and all other circumstances that would or could

potentially endanger the health, safety, and welfare of persons who meet the criteria for use of the Reservoir or would adversely impact water quality or the environment.

11. If SWS denies a permit or agreement, SWS will, upon request, furnish the applicant a written response for the denial. Such written response shall be sent to the address provided on the application.
12. Structures will be permitted only when such structures do not interfere with or impede the operation of the Reservoir or impose a threat to public health and safety. If a previously permitted structure is found to constitute a hazard, SWS may require the removal of the structure at the owner's expense. Owners of such structures will have fifteen days from the receipt of the removal notification to appeal the determination. If the owner does not appeal within such timeframe, the offending structure will be removed as directed in the notice.
13. Contiguous Landowners may only have one (1) marine structure for each qualifying parcel they own. Any permitted structure may only have a single tie to the shoreline and may not be configured in a manner so as to exceed 1000 sq. ft.
14. SWS has developed a set of standards, specifications, and construction drawings for allowable docks on the Reservoir (these are contained on [Appendix B](#)). The maximum footprint of the marine structure (including all walkway, slips, lifts, etc.) shall not exceed 1000 sq. ft. A marine structure may consist of only one walkway, a dock, no more than two boat lifts, no more than two personal watercraftlifts, and no more than two boat slips.
15. Contiguous Landowners may use a portable fire-pit in their Buffer Access Area or on their docks or other permitted structures. Any approved portable fire-pit must be easily moveable and no larger than 30-inches in diameter. The fire-pit must be on a stand which is at least 4-inches in height so that no part of the fire-pit touches the ground or structure beneath it. The fire-pit shall be covered by a screen to prevent embers from being emitted.
16. Contiguous Landowners using fire-pits must monitor the conditions for safe burning and shall abide by any applicable alerts, advisories, or bans that may be issued by the SC Forestry Commission or the Fire Marshall. During periods of drought or when the SC Forestry Commission or Fire Marshall issues High Fire Conditions alerts, the use of fire-pits will be suspended.
17. Fire-pit users shall take all appropriate precautions to prevent personal injury and property damage and ensure adequate horizontal and vertical clearance away from tree branches and other surrounding vegetation exists.
18. No new boat ramps will be permitted. Existing boat ramps may be licensed as long as they are maintained and in good repair. At any time the licensed boat ramp becomes in a state of disrepair, the contiguous landowner must remove the boat ramp at their own expense.

Irrigation Systems and Water Withdrawal

1. No water can be withdrawn from the Reservoir for any purpose without a valid permit.
2. Contiguous Landowners must apply for and obtain a validly issued permit and pay all applicable fees before withdrawing any water from the Reservoir for irrigation purposes. A drawing with the location of the septic system should be included with the application for a new irrigation system.
3. Once issued, all irrigation permits must be renewed on an annual basis. All irrigation permits will expire on December 31 of each year. Renewal notices will be sent in December and renewals must be completed no later than January 31st of the upcoming permit year.
4. New Contiguous Landowners purchasing a lot already permitted for irrigation will be required to pay the next annual renewal fee to transfer the permit. If the new Contiguous Landowner fails to apply for an irrigation permit transfer for over 90 days after closing, the new owner will be required either to reapply for an irrigation permit and to pay the initial application fee or remove all of the irrigation equipment from SWS Property.
5. Under drought or other extraordinary conditions, SWS may restrict the right of an irrigation permit holder to withdraw water from the Reservoir.
6. Permit holders who do not renew an irrigation permit must remove all associated equipment from SWS Property from within 45 days of the renewal deadline. If the permit holder fails to remove the equipment, SWS may have the equipment removed and disposed of at the owner's expense.
7. Should SWS observe potential or apparent unauthorized uses of Reservoir water, SWS will contact the property owner and may refer the matter to the SCDHEC.

Tree and Vegetation Management

1. Unless specifically authorized, the cutting, trimming, maintenance, or removal of vegetation on SWS property is prohibited. Within each Contiguous Landowner's Buffer Access Area, that Contiguous Landowner may:
 - a. Trim low tree limbs to a height not to exceed 1/3 of the height of the tree or 20 feet from the ground level, whichever is lowest;
 - b. Trim landscaped shrubs; and
 - c. Maintain existing lawns on SWS property to the shoreline (collectively "Authorized Maintenance Activities").
2. The blowing, raking or depositing of yard debris onto SWS Property or in the Reservoir is prohibited.
3. Except the Authorized Maintenance Activities, a permit is required to cut and remove any tree or established vegetation from SWS Property, regardless of the tree or vegetation's condition. If a permit is issued, the Contiguous Landowner will conduct such work at his/her expense and will be required to replant the affected area.
4. Should a Contiguous Landowner choose to discontinue mowing all or any portion of an existing lawn in their Buffer Access Area, they may:
 - a. Allow the desired area to naturalize while continuing to conduct other Authorized Maintenance Activities; or
 - b. Discontinue all maintenance thereby allowing the area to grow into a completely naturalized area allowing shrub/understory growth and eventually a natural tree canopy to develop.
5. A Contiguous Landowner who fails to mow all or any portion of an existing lawn in their Buffer Access Area for a period in excess of 120 days may no longer mow the neglected area(s). Such areas will thereafter be considered undeveloped or naturalized.
6. For undeveloped or naturalized areas within the Buffer Area, no trees or vegetation shall be removed without the Contiguous Landowner applying for, and obtaining, a validly issued permit for the desired activities in or changes to the Buffer area. SWS will carefully evaluate permit applications for activities or changes to the Buffer Area, consulting, when appropriate outside guidelines or advisors.

Permitting Fees

Fees are subject to change by SWS. For current fees please go to the SWS website or contact the Lake Office.

Transfer of Permits

Existing authorizations (permits/licenses) are transferrable to new Contiguous Landowners if the previous holder was in compliance with the permit requirements immediately prior to transferring the property so long as the application for transfer is received and all necessary fees are paid within 90 days of the transfer of ownership.

Requests for Variances

1. Requests for variances from SWS policies and procedures must be submitted, in writing, to the Watershed Management staff at the Lake Office.
2. Each request for a variance shall include the following:
 - a. Written statements of request and basis for such request;
 - b. Property surveys, maps, construction drawings, and other data necessary to support the request; and
 - c. Documentation demonstrating that the variance will not have a negative impact on water quality, safety, the appearance (one in harmony with the existing natural land) or the overall quality of SWS Property.
3. All decisions of SWS related to variance requests are final.

Enforcement Action Appeals Process

1. Contiguous Landowners have the right to appeal any enforcement action (“Enforcement Action”) taken by SWS in response to a violation of these policies and procedures. This appeal process will consist of the person submitting a Request for First Level Enforcement Action Review to the Chief Operating Officer c/o Spartanburg Water, PO Box 251, 200 Commerce Street, Spartanburg, SC 29304.
2. The COO will then review the record of the Enforcement Action, which may include an Enforcement Conference to hear the issues in question. After careful review and consideration, the COO will render a decision within 30 days.
3. Should the COO deny the appeal request, the person may appeal to the second level of the appeal process. The second level is to the Chief Executive Officer (CEO) of SWS. The CEO has ultimate authority to reverse any staff decision on an Enforcement Order. This appeal process will consist of the person submitting a Request for a Second Level Enforcement Action Review to the Chief Executive Officer c/o Spartanburg Water, PO Box 251, 200 Commerce Street, Spartanburg, SC 29304. The CEO will then review the record of the Enforcement Action and Appeal, which may include an Enforcement Conference to hear the issues in question. After careful review and consideration, the CEO will render a decision within 30 days. The decision of the CEO is the final decision of SWS.
4. All appeals from the final decision of SWS are to the Court of Common Pleas for Spartanburg County.

Changes in Policies and Procedures

The policies and procedures contained herein are subject to change by action of SWS.

Appendix A

As of the date of this publication, the following are the State Laws and Regulations applicable to Lake William C. Bowen and Lake H. Taylor Blalock. For the most recent Laws see the SC General Assembly website at <http://www.scstatehouse.net/code/statmast.htm>.

ARTICLE 13. RESTRICTIONS APPLICABLE TO LAKES WILLIAM C. BOWEN AND H. TAYLOR BLALOCK IN SPARTANBURG COUNTY

SECTION 50-25-1310. No wake zones; restricted areas for boating and bathing; authority of wardens to limit number of boats. [SC ST SEC 50-25-1310]

On Lakes William C. Bowen and H. Taylor Blalock in Spartanburg County:

(1) There is established a no wake zone within three hundred feet of all bridges and public docks. No wake zones must be clearly marked with signs. The signs must be designed and installed by the department.

(2) No boat, watercraft, or any other type of vessel may be operated, anchored, moored, docked, or otherwise may enter within five hundred feet of any pump station, water intake of a dam, hydroelectric generator outfall, or spillway. These restricted areas must be clearly marked with signs. Signs must be designed and installed by the Spartanburg Water System. Boats, watercraft, and other vessels operated for law enforcement, emergency medical services, or dam maintenance and repair are exempted from this requirement.

(3) No boat, watercraft, or any other type of vessel may operate or anchor within one hundred fifty feet of public fishing piers.

(4) No sailing craft with a mast height in excess of thirty feet is permitted to operate.

(5) No wading, bathing, or swimming is permitted within two hundred feet of any public landing, bridge, or restricted area. These restricted areas must be clearly marked with signs. The signs must be designed and installed by the Spartanburg Water System.

(6) The lake wardens, at their discretion, may limit entrance of boats, watercraft, or any other type of vessel onto the lakes via the public landings when conditions such as overcrowding or adverse weather create an unsafe boating environment.

SECTION 50-25-1320. Motor restrictions on Lake William C. Bowen. [SC ST SEC 50-25-1320]

On Lake William C. Bowen:

(1) No boat, watercraft, or any other type of vessel with an outboard motor having a horsepower rating in excess of one hundred fifteen horsepower is permitted.

(2) No boat, watercraft, or any other type of vessel with an outboard motor in excess of the United States Coast Guard rating, with Coast Guard rating plate missing or changed, is permitted.

(3) No boat, watercraft, or any other type of vessel powered by an outdrive or inboard motor having an engine automotive horsepower rating in excess of one hundred ninety horsepower is permitted. This restriction does not apply to towboats which have been approved by the American Water ski Association or any Coast Guard approved boat commonly referred to as an inboard boat designed by the manufacturer for towing water skiers with the motor or engine located near the midpoint of the boat between the bow and stern, propeller driven by a single rod drive shaft extending through the hull with the propeller located under the boat in front of a rudder.

(4) There is no minimum or maximum restriction on length of boats, watercraft, or any other type of vessel. Boats, watercraft, and other vessels operated for law enforcement, emergency medical services, or dam maintenance and repair are exempted from the restrictions in items (1) and (3) of this section.

SECTION 50-25-1330. Watercraft and recreational activity restrictions on Lake H. Taylor Blalock [SC ST SEC 50-25-1330]

(A) No boat, watercraft, or any other type of vessel may not operate on Lake H. Taylor Blalock with an engine greater than thirty horsepower or greater than twenty-five feet in length, and in the case of a pontoon boat, the engine may not be greater than forty horsepower or greater than twenty-five feet in length, unless:

(1) the gas line has been disconnected and the engine or prop is trimmed out of water; and

(2) an electric trolling motor or engine of thirty horsepower or less is mounted. Boats, watercraft, and other vessels operated for law enforcement, emergency medical services, or dam maintenance and repair are exempted from the restrictions contained in this subsection.

(B) It is unlawful on Lake H. Taylor Blalock to:

(1) operate personal watercraft, including jet skis;

(2) operate any boat, watercraft, or any other type of vessel between midnight and one hour before sunrise, except that public access to Lake H. Taylor Blalock for the purpose of hunting waterfowl on South Carolina Department of Natural Resources leased premises shall be open weekly on Wednesday mornings beginning at 5:00 a.m. during the federal Waterfowl Hunting Season, provided the hunting of waterfowl shall no longer be allowed on Lake H. Taylor Blalock after December 31, 2018, unless reauthorized in statute;

(3) operate any boat, watercraft, or any other type of vessel with an outboard motor having horsepower in excess of the United States Coast Guard rating for the watercraft or with the Coast Guard rating plate missing or changed;

(4) operate, anchor, moor, or dock any boat, watercraft, or any other type of vessel to enter within five hundred feet of any pump station, water intake of a dam, hydroelectric generator outfall, or spillway, and these restricted areas must be clearly marked with signs designed and installed by the Spartanburg Water System. Boats, watercraft, and other vessels operated for law enforcement, emergency medical service, or dam maintenance and repair are exempted from this requirement;

(5) operate, anchor, moor, or dock any boat, watercraft, or any other type of vessel within one hundred fifty feet of public fishing piers;

(6) operate sailing craft with a mast height in excess of thirty feet;

(7) wade, bathe, or swim within two hundred feet of any public landing, bridge, or restricted area, and these restricted areas must be clearly marked with signs designed and installed by the Spartanburg Water System.

(C) The lake wardens may limit entrance of boats, watercraft, or any other type of vessel onto the lake via the public landings when conditions including, but not limited to, overcrowding or adverse weather, create an unsafe boating environment.

SECTION 50-25-1340. Waterskiing and towing of floating devices prohibited on Lake H. Taylor Blalock [SC ST SEC 50-25-1340]

On Lake H. Taylor Blalock, it is unlawful to water ski or tow rafts, discs, or any other similar floating devices.

SECTION 50-25-1350. Waterskiing and towing restrictions on Lake William C. Bowen; times boating prohibited. [SC ST SEC 50-25-1350]

On Lake William C. Bowen it is unlawful to:

(1) water ski or tow rafts, discs, or other similar floating devices within three hundred feet of any bridge or within one hundred feet of public dock facilities of the Spartanburg Water System;

(2) water ski and tow rafts, discs, or other similar floating devices upstream and west of the Interstate Highway 26 bridge which crosses over Lake William C. Bowen;

(3) pull more than two skiers at one time from any boat or to water ski while carrying one or more persons piggyback;

(4) operate a watercraft between midnight and one hour before sunrise.

SECTION 50-25-1360. Special permits waiving restrictions of this article. [SC ST SEC 50-25-1360]

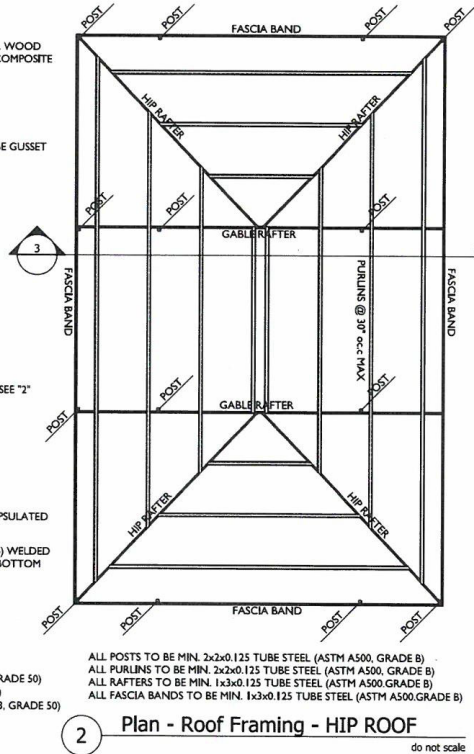
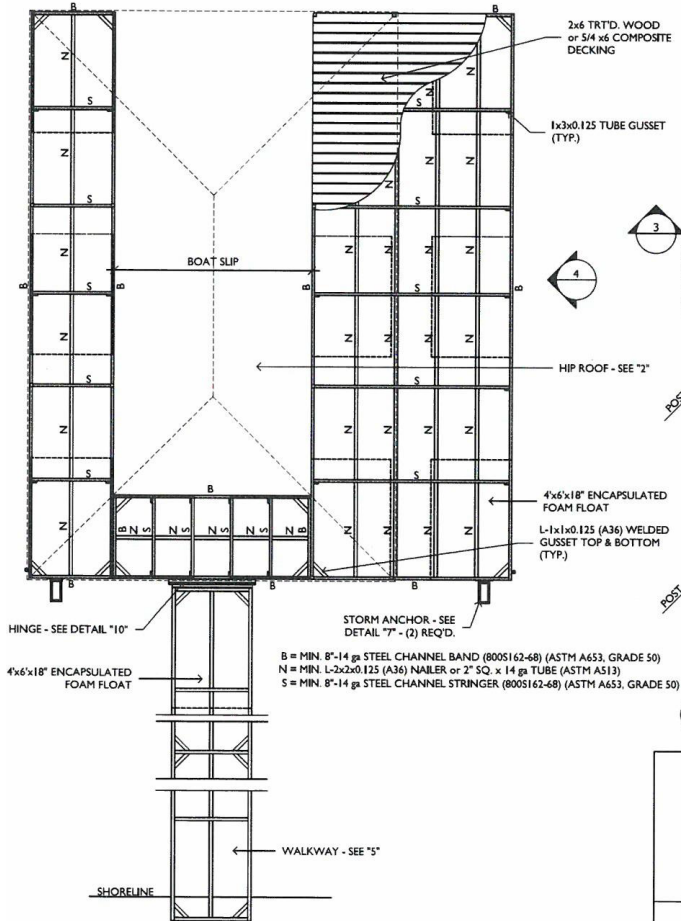
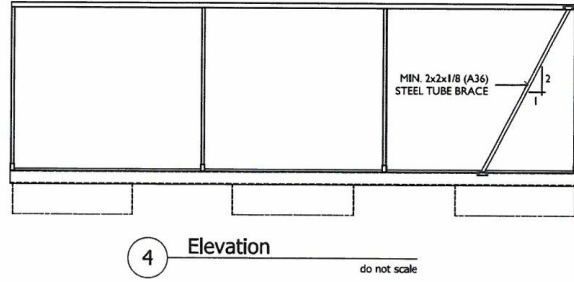
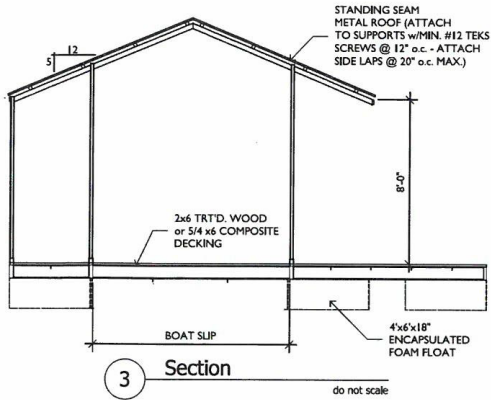
The department, after consultation with the Spartanburg Water System, by special permit, may waive the restrictions and provisions of Sections 50-25-1310 through 50-25-1350 to allow for boat testing, water and ski shows, and similar activities. It is unlawful to violate the terms and conditions of the permit.

SECTION 50-25-1370. Penalty for violation. [SC ST SEC 50-25-1370]

A person violating a provision of this article is guilty of a misdemeanor and must be punished as provided in Section 50-1-130.

Appendix B

Marine Structure Guidelines



Dock Plan w/Hip Roof

do not scale

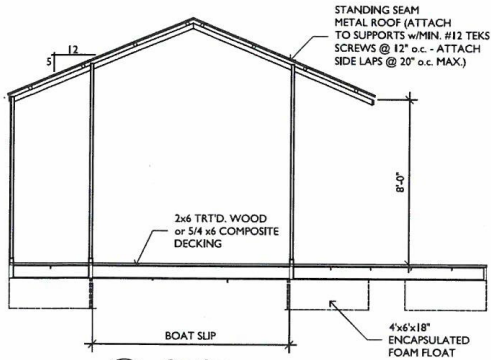
sheet 1 of 3



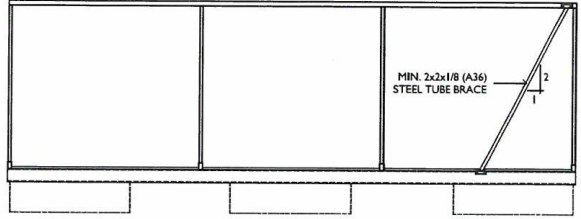
Dock/Walkway Standards
Steel Construction

April 4, 2019

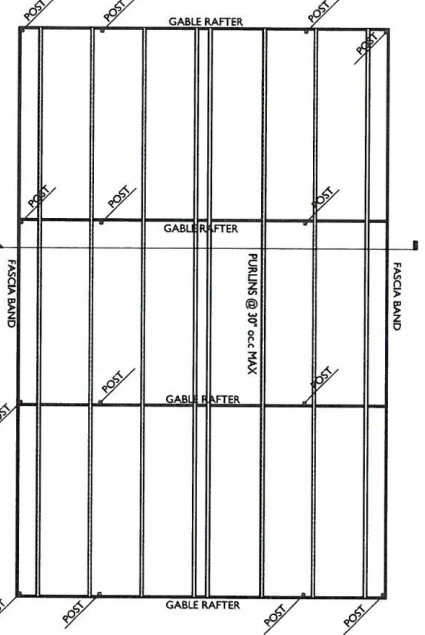
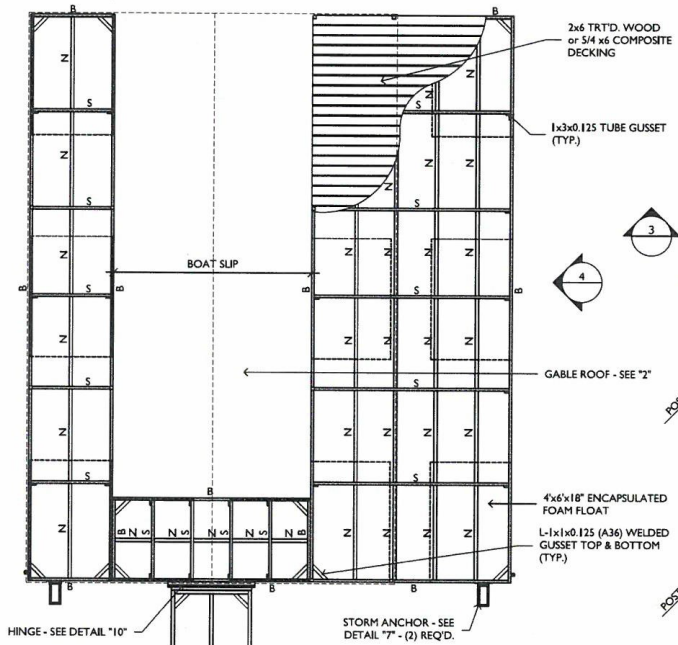
THIS DRAWING IS PROPERTY OF SPARTANBURG WATER AND IS NOT TO BE USED OR COPIED BY UNAUTHORIZED PARTIES



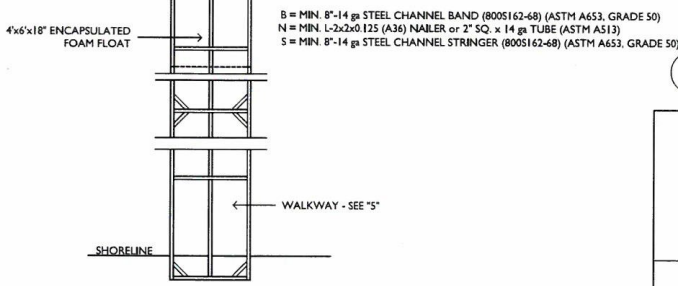
3 Section
do not scale




4 Elevation
do not scale



3 Plan - Roof Framing - GABLE ROOF
do not scale



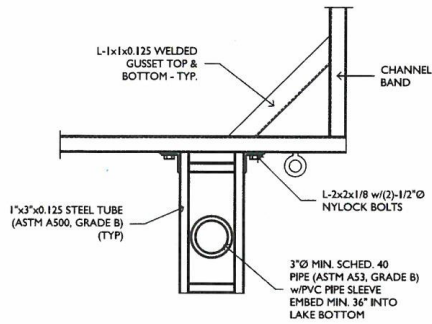
1 Plan - Dock Platform
do not scale



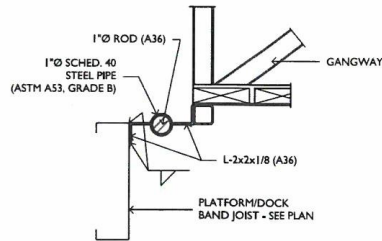
**Dock/Walkway Standards
Steel Construction**

April 4, 2019

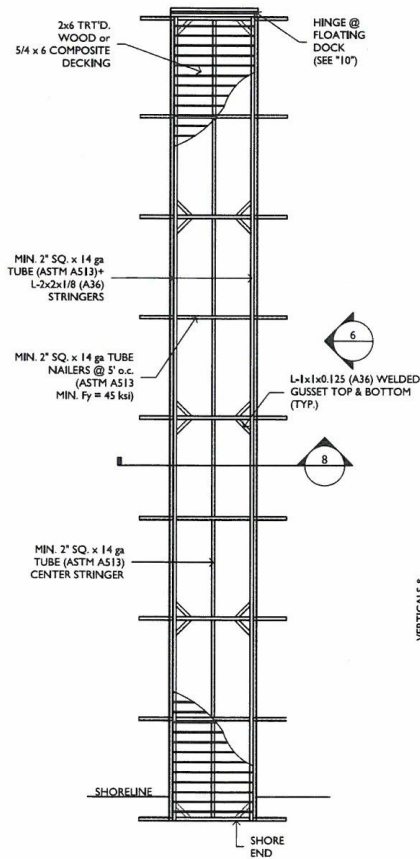
THIS DRAWING IS PROPERTY OF SPARTANBURG WATER AND
IS NOT TO BE USED OR COPIED BY UNAUTHORIZED PARTIES



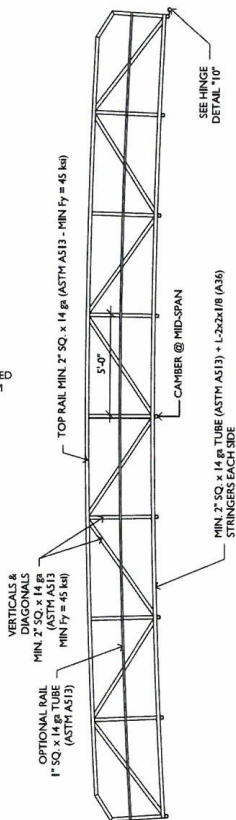
7 Detail - Storm Anchor
do not scale



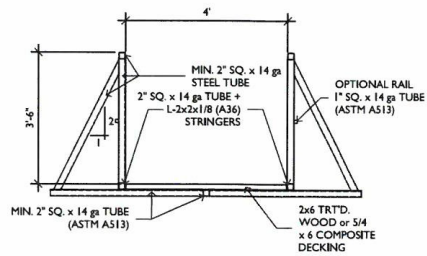
10 Detail - Hinge
do not scale



5 Plan
do not scale



6 Elevation
do not scale



8 Section - Gangway
do not scale

STRUCTURAL DESIGN CRITERIA

- CODES
- ANSI/ASCE 7-10
- DESIGN LOADS
- ROOF
- LIVE LOAD = 20 PSF
- GANGWAY
- LIVE LOAD = 40 PSF
- WIND: (PER ANSI/ASCE 7-10)
- BASIC DESIGN WIND SPEED, V_{ult} = 115 MPH
- EXPOSURE CATEGORY B
- RISK CATEGORY I
- OPEN BUILDING

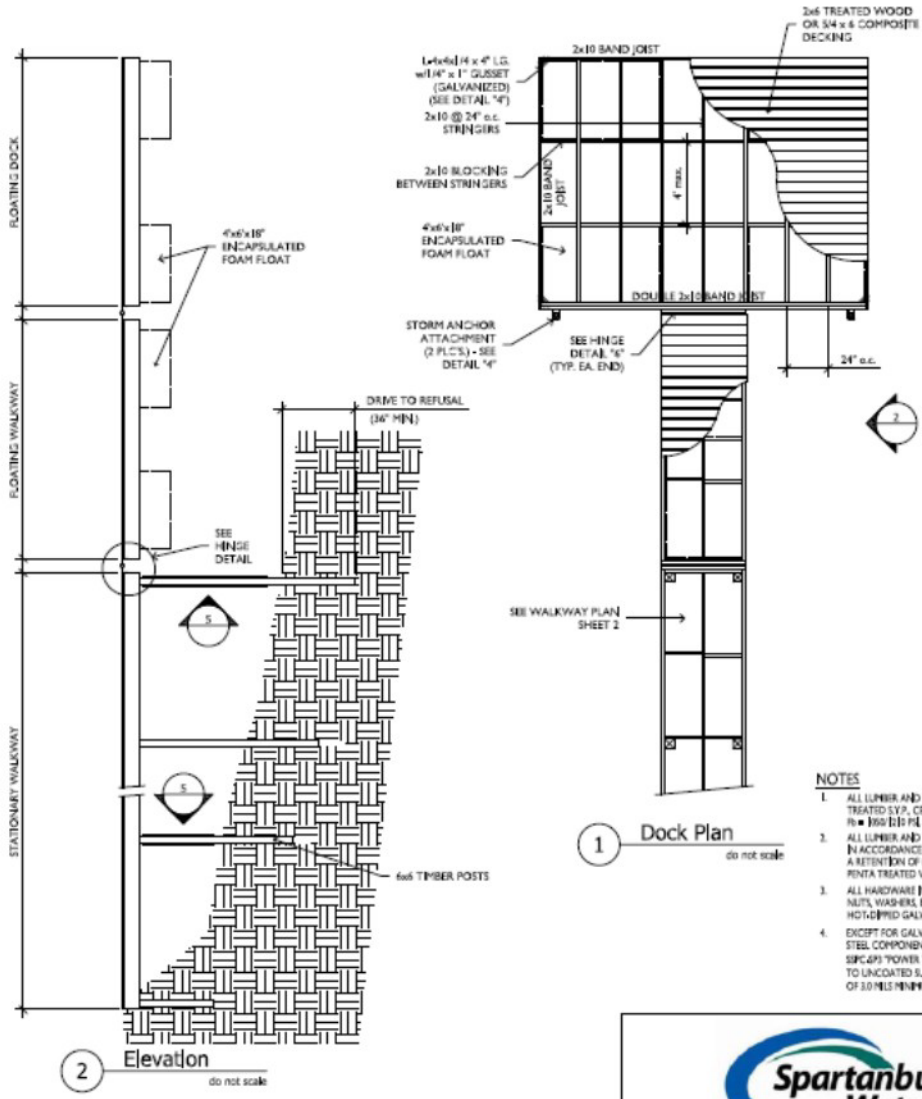
9 Structural Basis of Design



**Dock/Walkway Standards
Steel Construction**

April 4, 2019

THIS DRAWING IS PROPERTY OF SPARTANBURG WATER AND IS NOT TO BE USED OR COPIED BY UNAUTHORIZED PARTIES



- NOTES**
1. ALL LUMBER AND POSTS TO BE MIN. NO. 1 PRESSURE TREATED SYP, CEDAR, REDWOOD, OR BETTER. **NO HIRTS PL (HAWKS PL) OR PD PL (POND PL)**
 2. ALL LUMBER AND TIMBER TO BE PRESSURE TREATED IN ACCORDANCE WITH AWPA C241 WITH CCA TO A RETENTION OF 0.35 PCF. CREOSOTE, ARSINIC OR PENTA TREATED WOOD IS PROHIBITED.
 3. ALL HARDWARE INCLUDING NAILS, SCREWS, BOLTS, NUTS, WASHERS, ETC. TO BE STAINLESS STEEL OR GAO NOTICED GALVANIZED PER ASTM A153.
 4. EXCEPT FOR GALVANIZED FINISHED SURFACES OF ALL STEEL COMPONENTS TO BE PREPARED ACCORDING TO SSPC-SP11 POWER TOOL CLEANING. APPLY SHOP PRIMER TO UNCOATED SURFACES TO A DRY FILM THICKNESS OF 3.0 MILS MINIMUM.

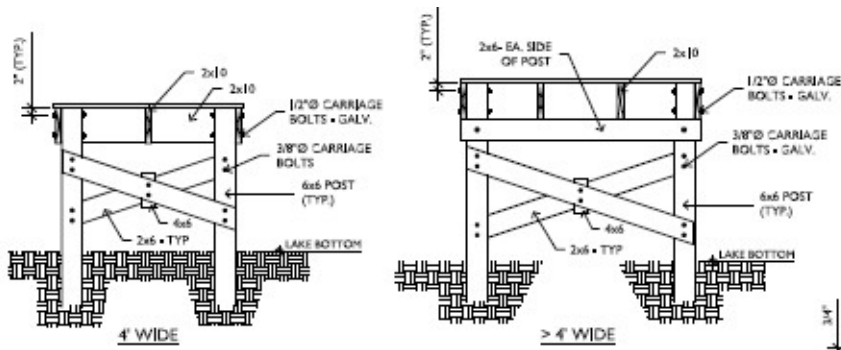


Spartanburg Water

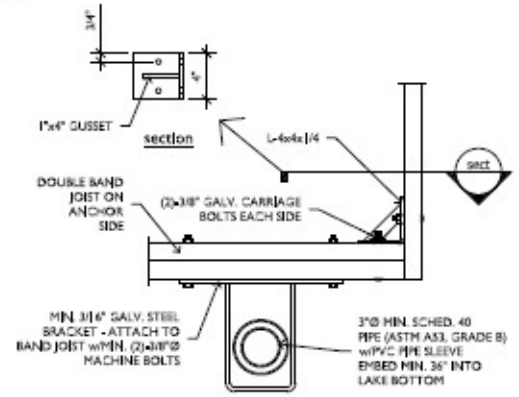
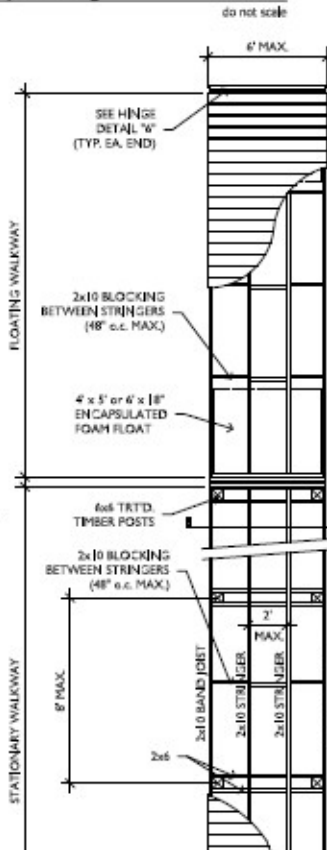
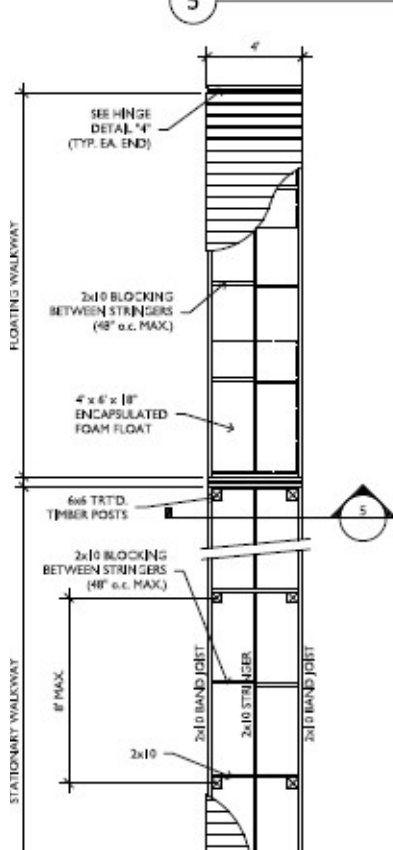
Dock/Walkway Standards Wood Construction

April 4, 2019

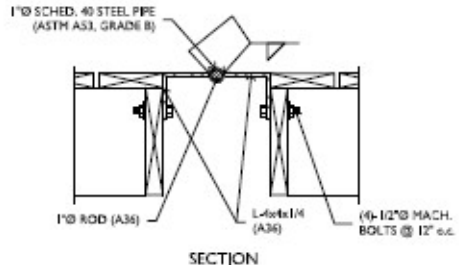
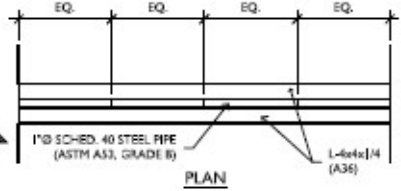
THIS DRAWING IS PROPERTY OF SPARTANBURG WATER AND IS NOT TO BE USED OR COPIED BY UNAUTHORIZED PARTIES

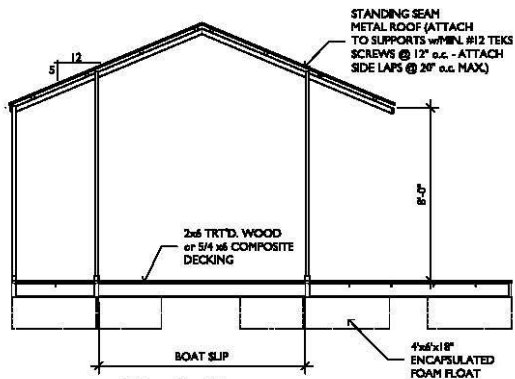


5 Detail - Walkway Bracing

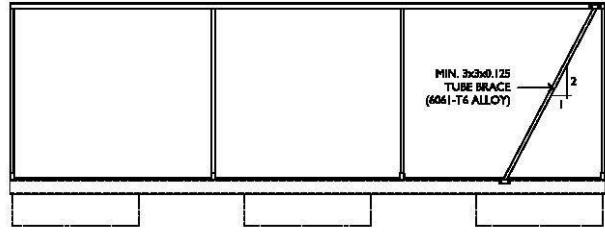


4 Detail - Corner Stiffener & Storm Anchor

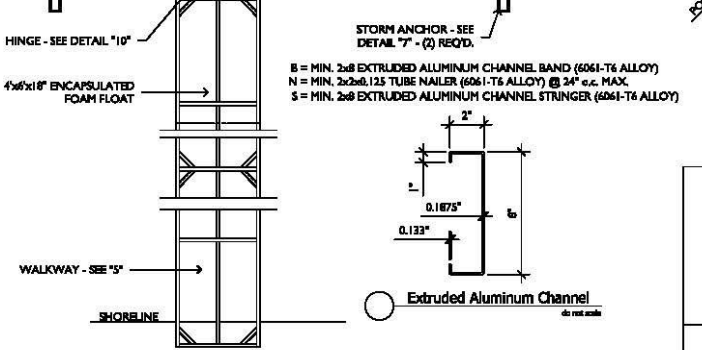
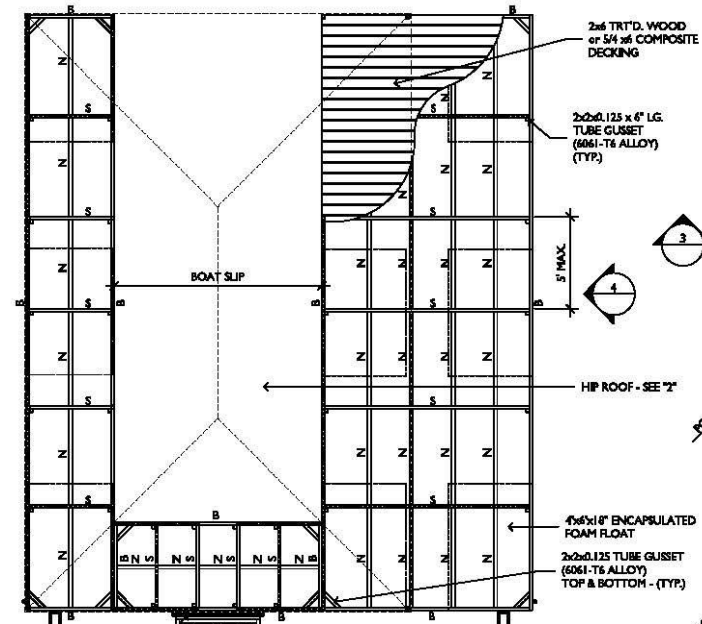




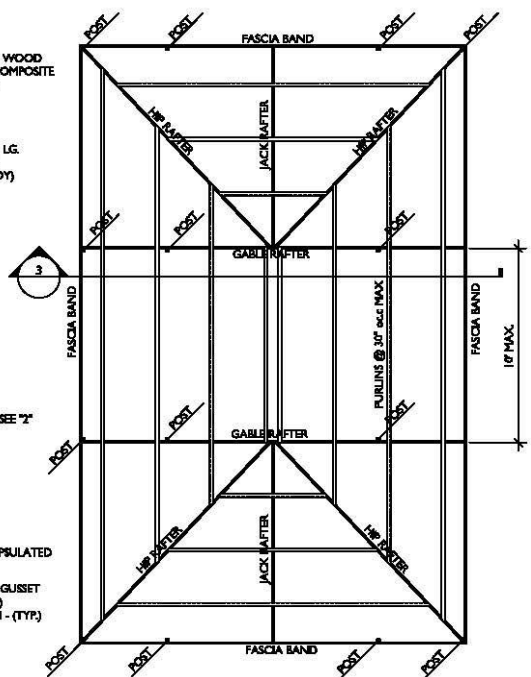
3 Section
do not scale



4 Elevation
do not scale



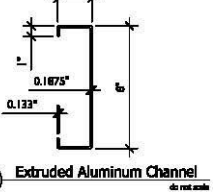
1 Plan - Dock Platform
do not scale



ALL POSTS TO BE MIN. 2x3x0.125 TUBE (6061-T6 ALLOY)
 ALL PURLINS TO BE MIN. 2x2x0.125 TUBE (6061-T6 ALLOY)
 ALL RAFTERS TO BE MIN. 2x6 EXTRUDED ALUMINUM CHANNEL (6061-T6 ALLOY)
 ALL FASCIA BANDS TO BE MIN. 2x6 EXTRUDED ALUMINUM CHANNEL (6061-T6 ALLOY)

2 Plan - Roof Framing - HIP ROOF
do not scale

B = MIN. 2x6 EXTRUDED ALUMINUM CHANNEL BAND (6061-T6 ALLOY)
 N = MIN. 2x2x0.125 TUBE NAILER (6061-T6 ALLOY) @ 34\"/>



Extruded Aluminum Channel
do not scale

Dock Plan w/Hip Roof

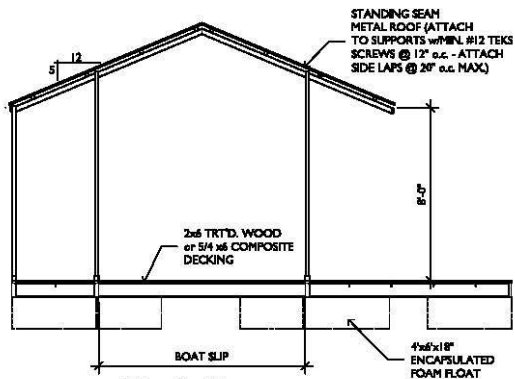
do not scale



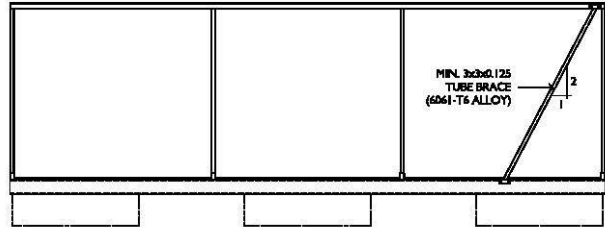
**Dock/Walkway Standards
Aluminum Construction**

July 8, 2019

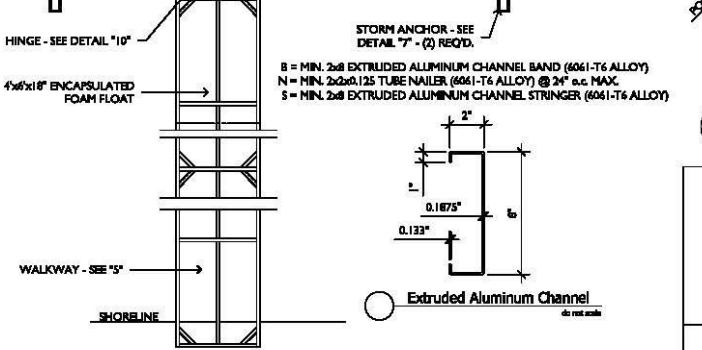
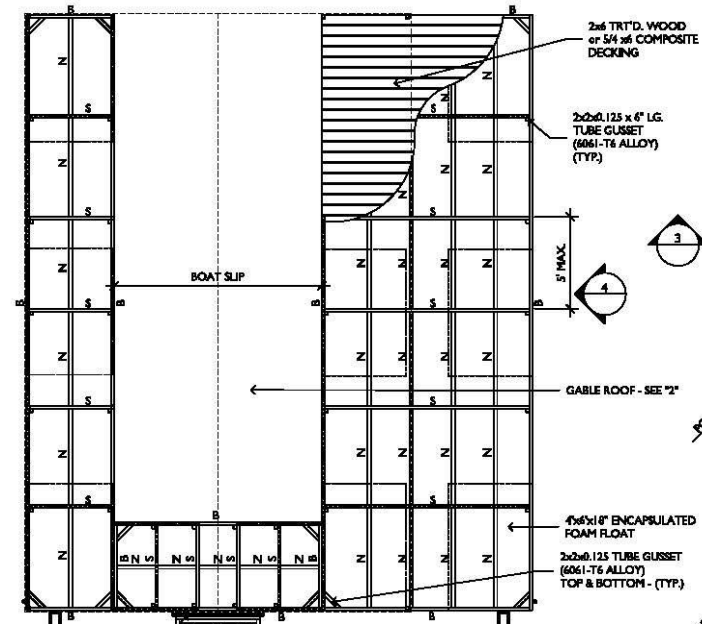
THIS DRAWING IS PROPERTY OF SPARTANBURG WATER AND IS NOT TO BE USED OR COPIED BY UNAUTHORIZED PARTIES



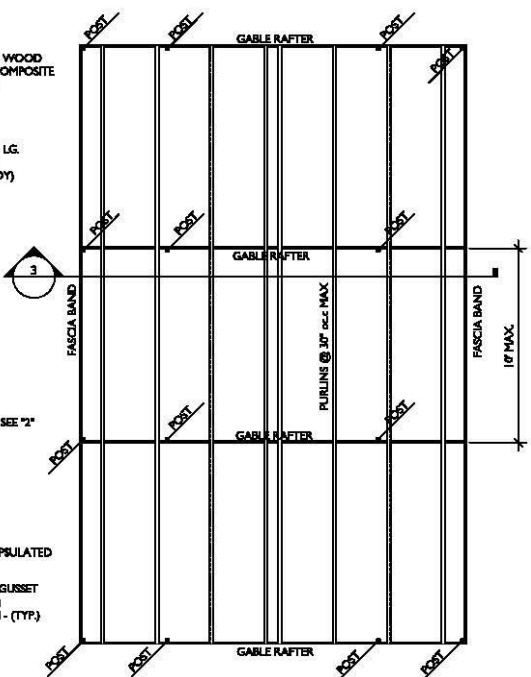
3 Section do not scale



4 Elevation do not scale



1 Plan - Dock Platform do not scale



ALL POSTS TO BE MIN. 2x2x0.125 TUBE (6061-T6 ALLOY)
 ALL PURLINS TO BE MIN. 2x2x0.125 TUBE (6061-T6 ALLOY)
 ALL RAFTERS TO BE MIN. 2x8 EXTRUDED ALUMINUM CHANNEL (6061-T6 ALLOY)
 ALL FASCIA BANDS TO BE MIN. 2x8 EXTRUDED ALUMINUM CHANNEL (6061-T6 ALLOY)

2 Plan - Roof Framing - GABLE ROOF do not scale

Dock Plan w/Gable Roof

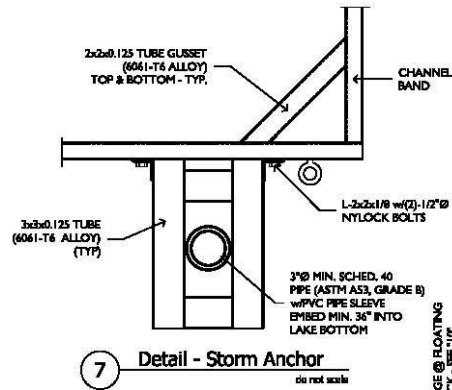
do not scale
 sheet 2 of 3

Spartanburg Water

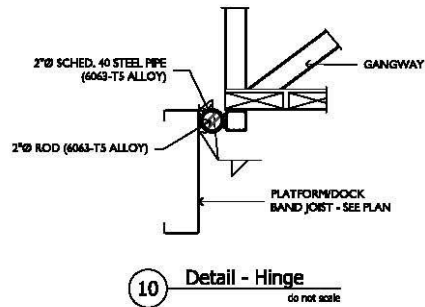
**Dock/Walkway Standards
 Aluminum Construction**

July 8, 2019

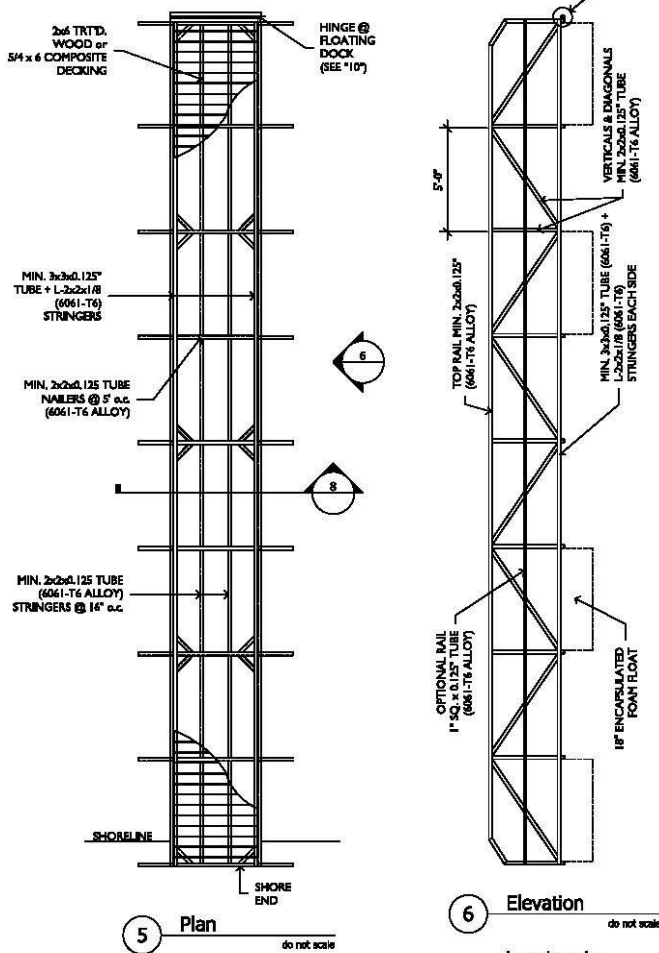
THIS DRAWING IS PROPERTY OF SPARTANBURG WATER AND IS NOT TO BE USED OR COPIED BY UNAUTHORIZED PARTIES



7 Detail - Storm Anchor
do not scale

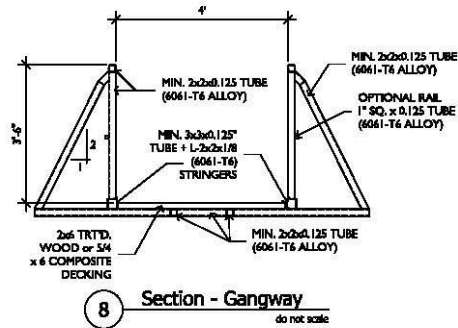


10 Detail - Hinge
do not scale



5 Plan
do not scale

6 Elevation
do not scale



8 Section - Gangway
do not scale

STRUCTURAL DESIGN CRITERIA	
<u>CODES</u>	
ANSI/ASCE 7-10	
<u>DESIGN LOADS</u>	
<u>ROOF</u>	
LIVE LOAD	= 20 PSF
<u>GANGWAY</u>	
LIVE LOAD	= 40 PSF
<u>WIND: (PER ANSI/ASCE 7-10)</u>	
BASIC DESIGN WIND SPEED, V_{ult}	= 115 MPH
EXPOSURE CATEGORY	B
RISK CATEGORY	I
OPEN BUILDING	

9 Structural Basis of Design



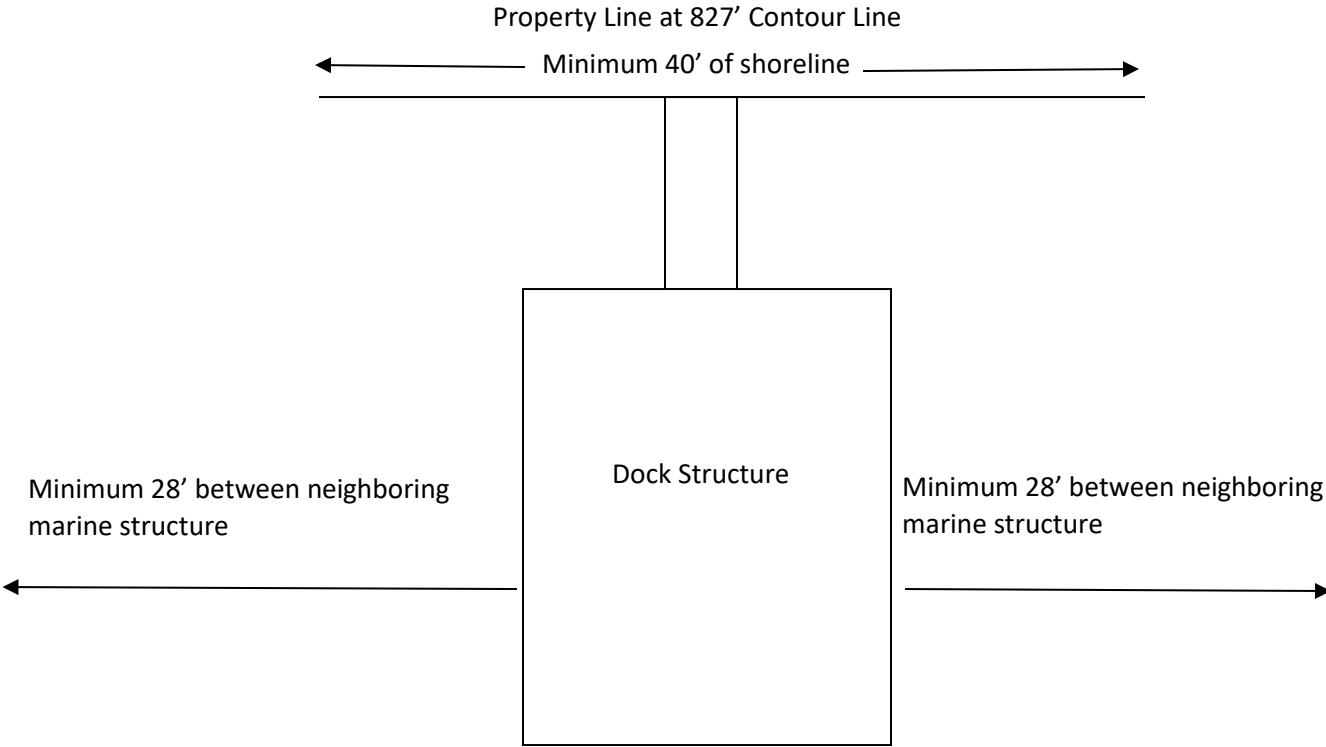
Dock/Walkway Standards Aluminum Construction

July 8, 2019

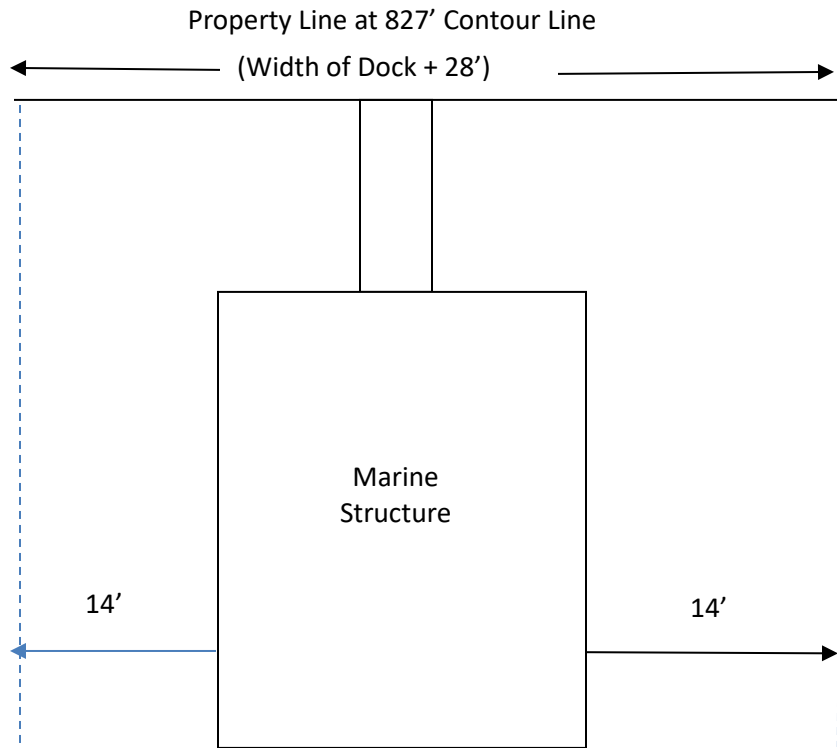
THIS DRAWING IS PROPERTY OF SPARTANBURG WATER AND IS NOT TO BE USED OR COPIED BY UNAUTHORIZED PARTIES

Appendix C

Existing Marine Structure Illustration and Specifications for "Non-Cove" Properties



New Marine Structure Placement and Specifications for "Non-Cove" Properties



Appendix D

**Map of Lake William C. Bowen Reservoir
With 827 feet above Mean Sea Level (MSL) contour line using the
National Vertical Geodetic Datum of 1929 (NGVD29)**

